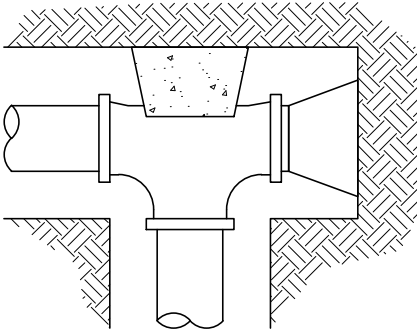
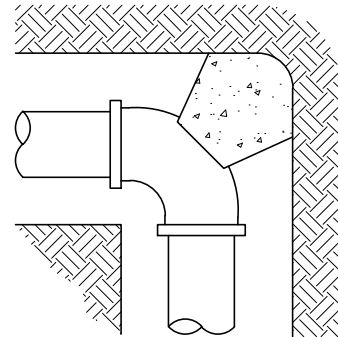


TEE



TEE (PLUGGED)



BEND

DIMENSIONS FOR THRUST BLOCKING

FITTING SIZES	TEES & PLUGS		90° BEND		45° BEND & WYES		REDUCERS & 22 1/2° BEND	
	A	B	A	B	A	B	A	B
4" & 6"	2'-0"	1'-11"	2'-5"	2'-2"	1'-10"	1'-7"	1'-9"	0'-10"
8"	2'-8"	2'-6"	3'-2"	3'-0"	2'-5"	2'-1"	1'-9"	1'-6"
10"	4'-0"	3'-3"	4'-0"	3'-10"	3'-0"	2'-9"	2'-2"	1'-11"
12"	4'-0"	3'-10"	4'-8"	4'-8"	3'-8"	3'-3"	2'-7"	2'-3"
16"	4'-6"	4'-0"	5'-0"	4'-8"	4'-0"	3'-0"	3'-0"	2'-6"
20"	5'-0"	5'-0"	7'-0"	5'-0"	4'-6"	4'-0"	3'-0"	3'-0"
24"	6'-10"	5'-0"	10'-0"	5'-0"	5'-8"	4'-6"	3'-8"	3'-8"

NOTES:

1. THIS TABLE IS BASED ON 2000 PSF SOIL BEARING PRESSURE AND 150 PSI MAIN PRESSURE.
2. WRAP ALL FITTINGS WITH POLYETHYLENE PRIOR TO PLACING CONCRETE.



Engineering Division

Thrust Block Detail

*Logan McInnis*

Approved By  
Utilities Engineer  
Logan McInnis, PE

Revised: 09/28/2020

STD - 407