



Revision Number	
Original Date	Revision Date
5-18-07	
Engineered By	JDR
Checked By	JDS
Drawn By	JHM

City Foundation Design

City of Missoula

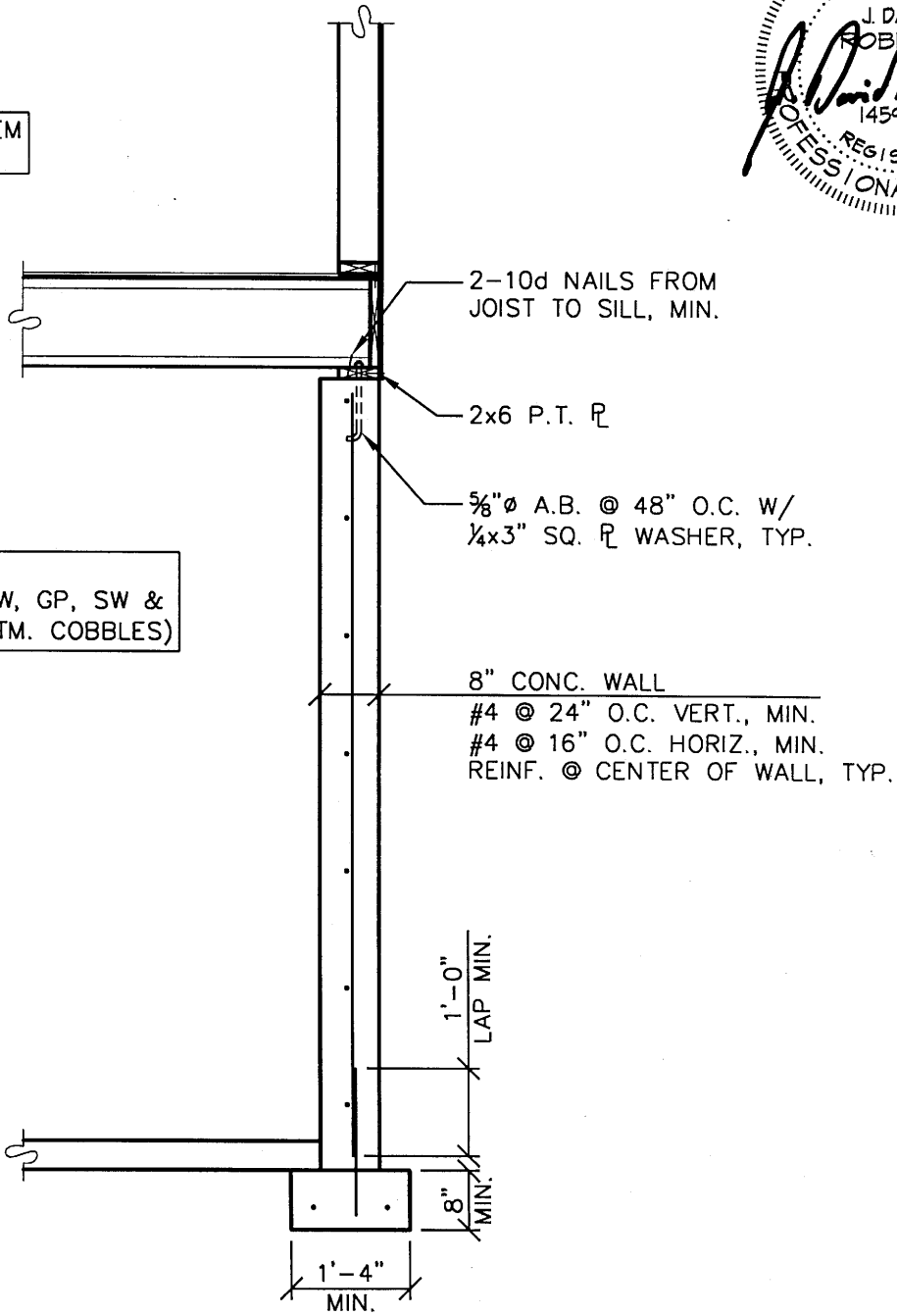
Case #1 Detail

Sheet	3
of	5



FLOOR SYSTEM  
BY OTHERS

CASE #1  
SOIL TYPE GW, GP, SW &  
SP (RIVER BTM. COBBLES)



1

CASE #1 FOUNDATION WALL

SCALE: 1/2" = 1'-0"



Revision Number	
Original Date	Revision Date
5-18-07	
Engineered By	JDR
Checked By	JDS
Drawn By	JHM

City Foundation Design

City of Missoula

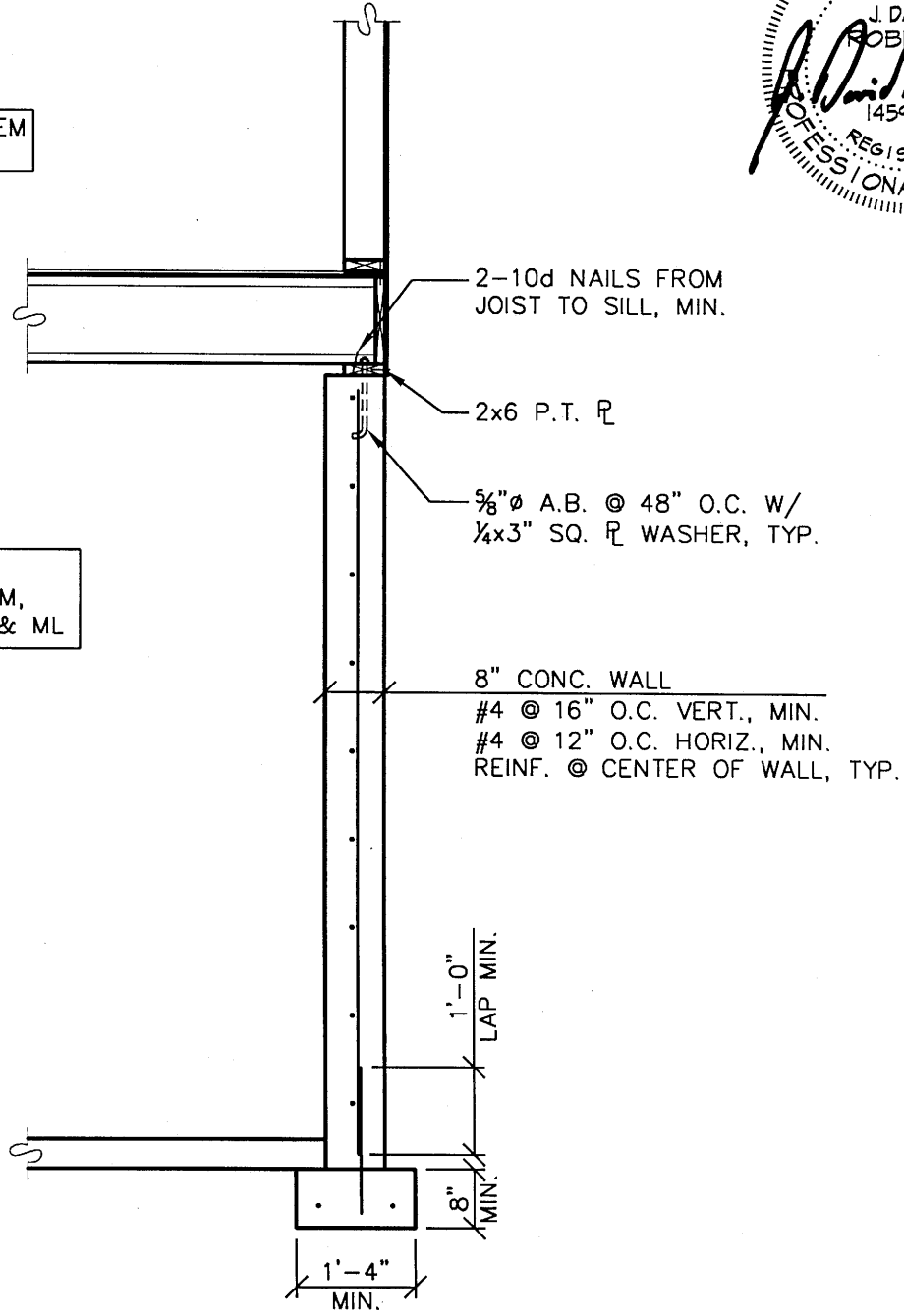
Case #2 Detail

Sheet	4
of	5



FLOOR SYSTEM  
BY OTHERS

CASE #2  
SOIL TYPE GM,  
GC, SM-SC & ML



1

CASE #2 FOUNDATION WALL

SCALE: 1/2" = 1'-0"



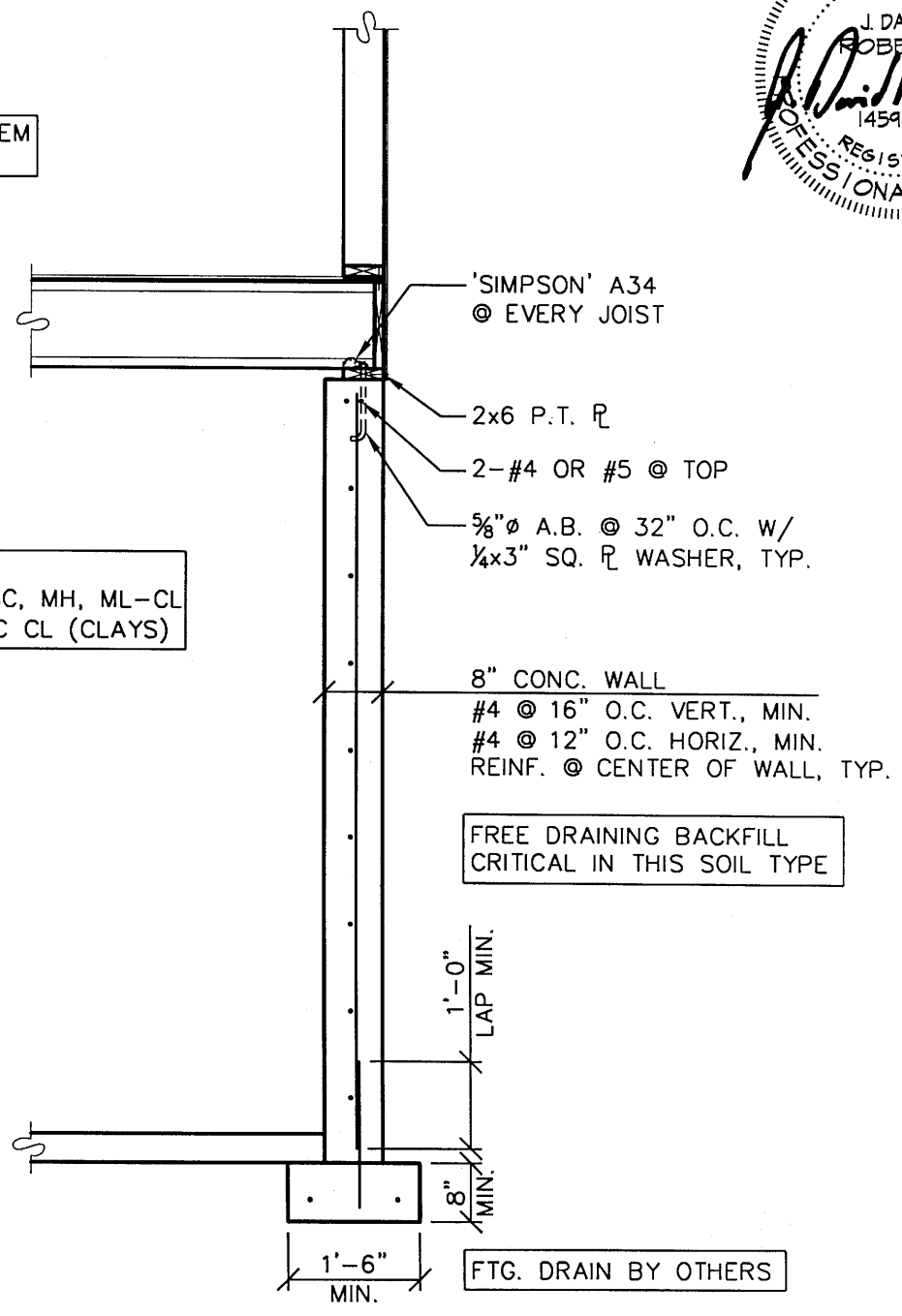
Revision Number	
Original Date	Revision Date
5-18-07	
Engineered By	JDR
Checked By	JDS
Drawn By	JHM

City Foundation Design	
City of Missoula	
Case #3 Detail	Sheet 5
	of 5



FLOOR SYSTEM  
BY OTHERS

CASE #3  
SOIL TYPE SC, MH, ML-CL  
& INORGANIC CL (CLAYS)



1

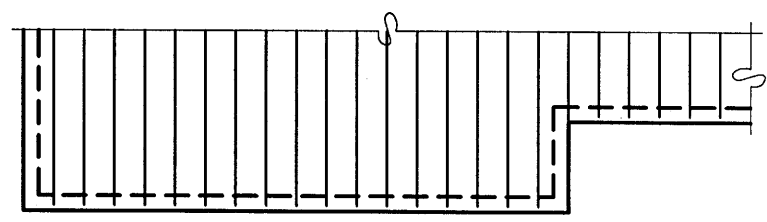
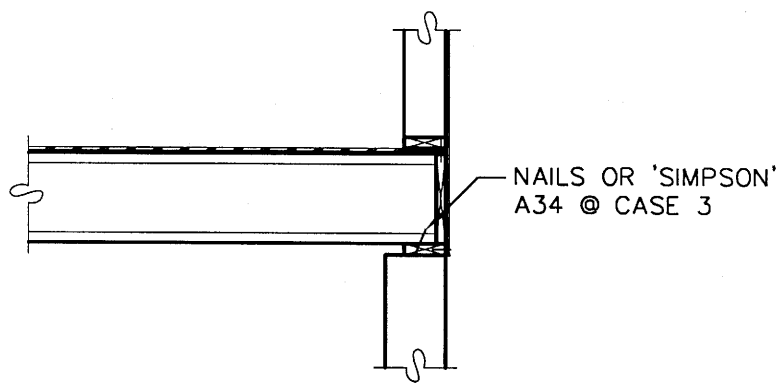
CASE #3 FOUNDATION WALL

SCALE: 1/2"=1'-0"



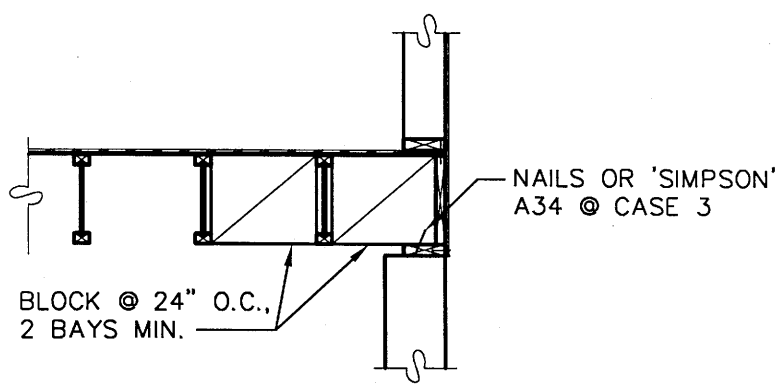
Revision Number	
Original Date	Revision Date
5-18-07	
Engineered By	JDR
Checked By	JDS
Drawn By	JHM

City Foundation Design	
City of Missoula	
Floor Framing Conditions	Sheet 2
	of 5

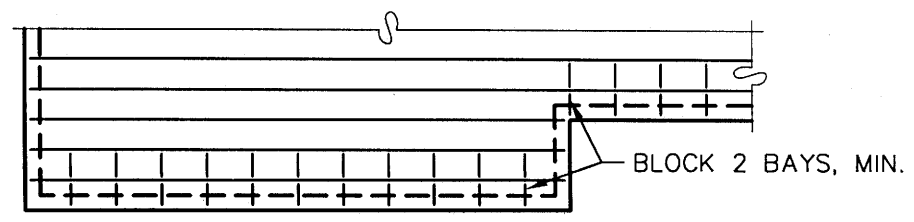


1 JOISTS PERPENDICULAR

N.T.S.



BLOCK @ 24" O.C.,  
2 BAYS MIN.



BLOCK 2 BAYS, MIN.

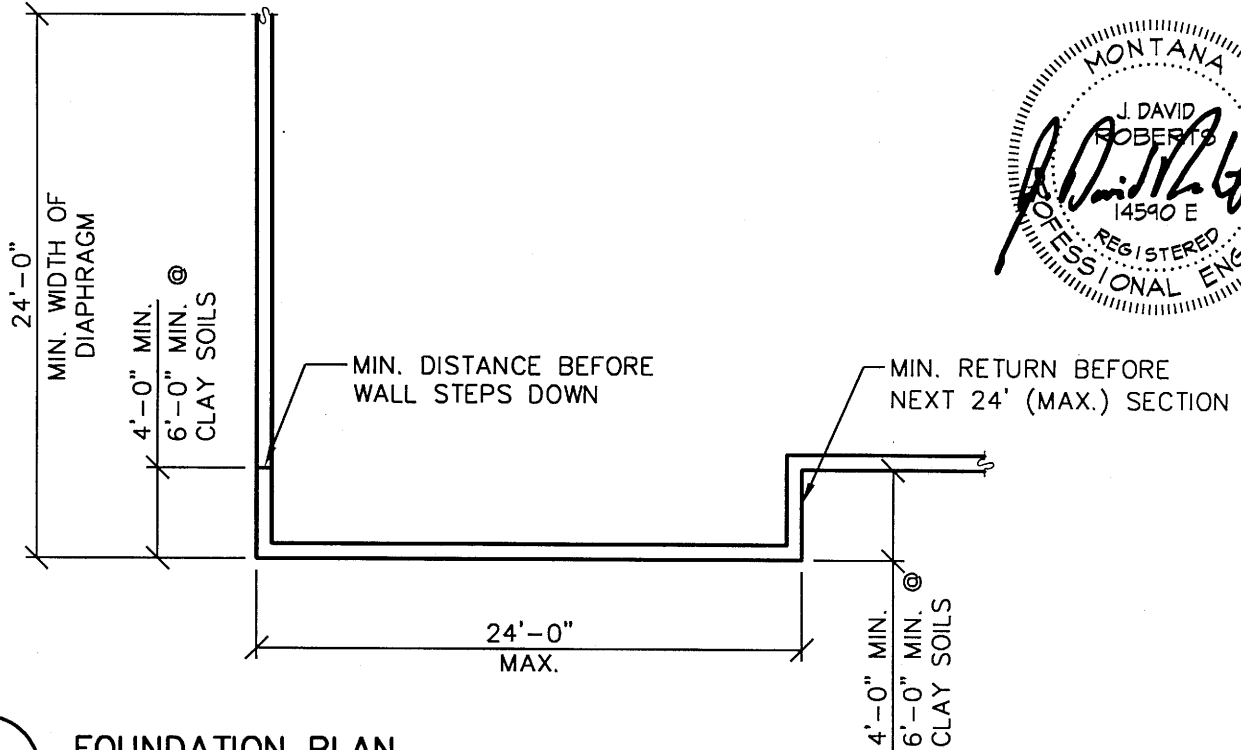
2 JOISTS PARALLEL

N.T.S.



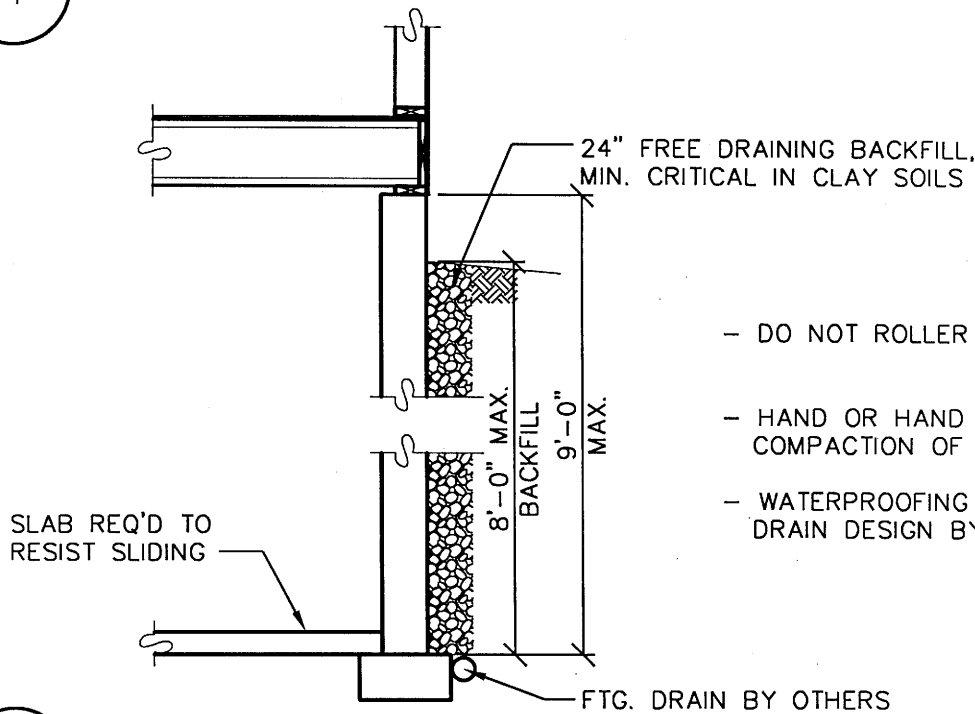
Revision Number	
Original Date	Revision Date
5-18-07	
Engineered By	JDR
Checked By	JDS
Drawn By	JHM

City Foundation Design	
City of Missoula	
Foundation Plan	Sheet 1
	of 5



1 FOUNDATION PLAN

SCALE: 1/8"=1'-0"



- DO NOT ROLLER COMPACT
- HAND OR HAND OPERATED COMPACTION OF BACKFILL ONLY
- WATERPROOFING & FOOTING DRAIN DESIGN BY OTHERS, TYP.

2 TYPICAL BACKFILL

SCALE: 3/8"=1'-0"