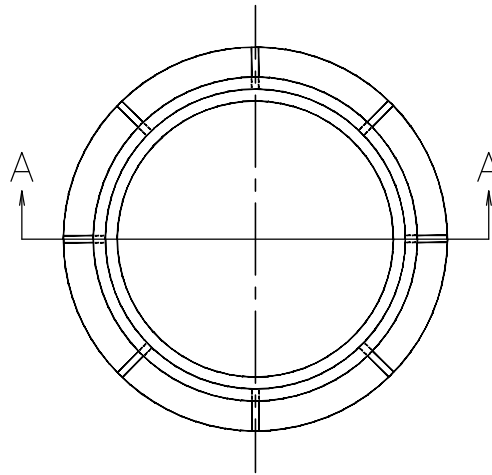
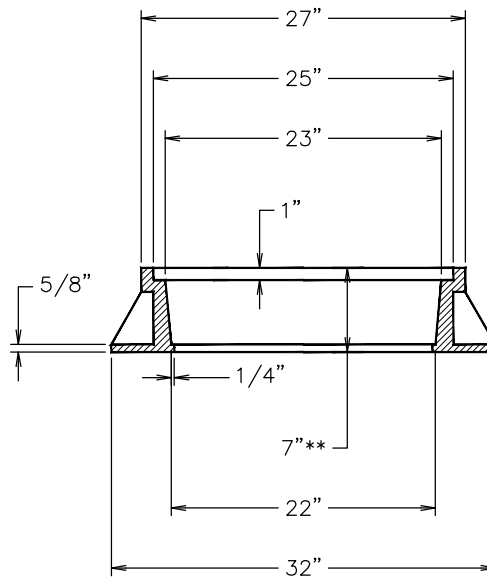


EJIW / 3777  
OR APPROVED EQUIVALENT

MANHOLE RING



TOP VIEW



SECTION A-A

GENERAL NOTES:

1. DUE TO PROVISIONS IN THE INTERMODAL SURFACE TRANSPORTATION ACT, VENDORS MUST AUTHENTICATE U.S. ORIGIN OF CASTINGS FOR FEDERALLY FUNDED PROJECTS.
2. PROVIDE LIDS AND RINGS THAT MEET AASHTO 306 H20 LOADING RATING OR HIGHER.
3. COMPOSITE TAPERED GRADE RINGS SHALL BE USED TO MATCH FRAME & GRATE TO THE CURB LINE CROSS SLOPE AND RUNNING SLOPE OR STREET CROSS SLOPE AND RUNNING SLOPE WHERE NOT IN CONCRETE.
4. 4-INCH MANHOLE RING MAY BE USED IN LIEU OF A 7" RING ONLY WITH PRIOR APPROVAL FROM CITY ENGINEERING.

USE ONLY APPROVED COVERS:  
STD-604B STORM WATER SOLID LID  
MANHOLE COVER  
STD-604C AREA DRAIN GRATE  
STD-604D ADA AREA DRAIN GRATE



Engineering Division

Storm Water Ring

Approved By  
Utility Engineer  
Andy Schultz, PE

Adopted: 09/28/2021  
Revised: 04/16/2021

**STD - 604A**