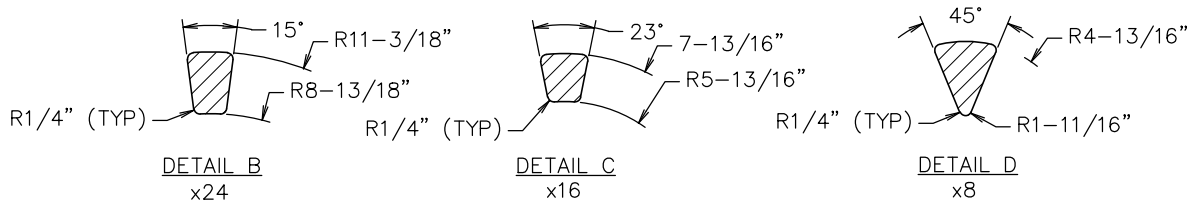
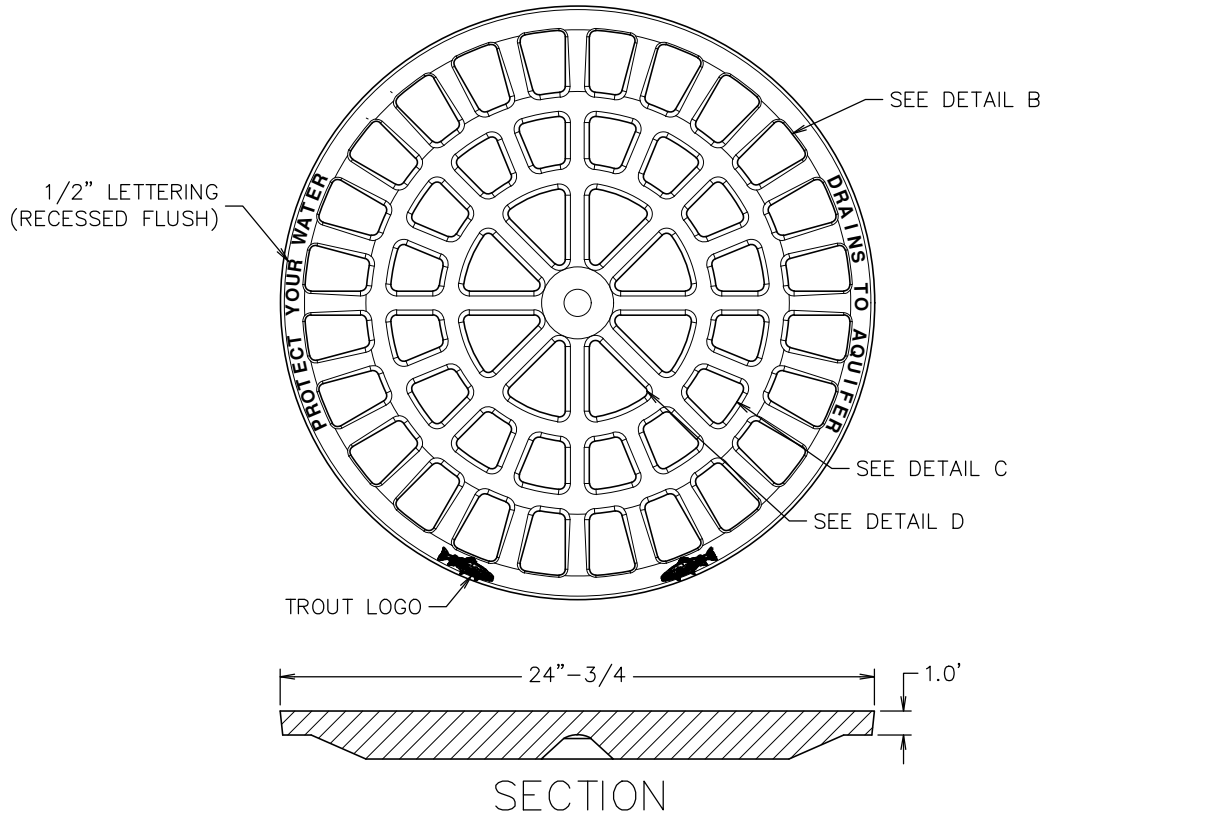


D&L C-1171-03
OR APPROVED EQUIVALENT



GENERAL NOTES:

1. DUE TO PROVISIONS IN THE INTERMODAL SURFACE TRANSPORTATION ACT, VENDORS MUST AUTHENTICATE U.S. ORIGIN OF CASTINGS FOR FEDERALLY FUNDED PROJECTS.
2. PROVIDE LIDS AND RINGS THAT MEET AASHTO 306 H20 LOADING RATING OR HICOMPOSITE TAPERED GRADE RINGS SHALL BE USED TO MATCH FRAME & GRATE TO THE CURB LINE CROSS SLOPE AND RUNNING SLOPE OR STREET CROSS SLOPE AND RUNNING SLOPE WHERE NOT IN CONCRETE.
3. SEE STD-604A FOR STANDARD MANHOLE RING SPECIFICATIONS.



Engineering Division

Area Drain Grate

Approved By
Utility Engineer
Andy Schultz, PE

Adopted: 09/28/2020
Revised: 04/13/2021

STD - 604C