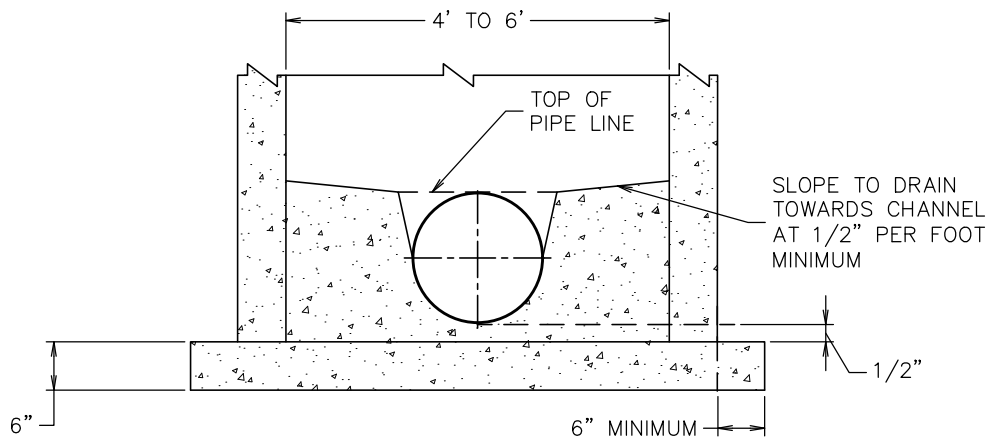


PLAN VIEW



SECTION VIEW

December 2021



Engineering Division

Stormwater Manhole - Precast Base (Sheet 3 of 3)

*AS*

Approved By  
Utility Engineer  
Andy Schultz, PE

Adopted: 09/28/2020  
Revised: 02/01/2021

STD - 612-3