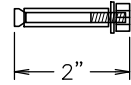
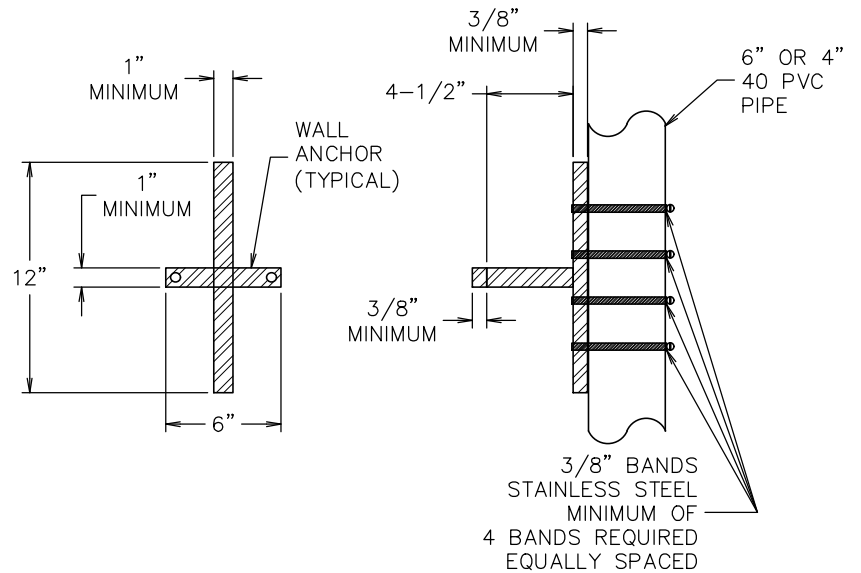


INTERNAL SERVICE
DROP STRUCTURE
(NOT TO SCALE)



1/2" DIAMETER
STAINLESS STEEL WALL
ANCHOR



STAINLESS STEEL STANDOFF
(DETAIL ENLARGED - NOT TO SCALE)

GENERAL NOTES:

1. STANDOFFS SHALL BE STAINLESS STEEL OR EPOXY COATED IRON ONLY.
2. STANDOFFS SHALL BE EQUALLY SPACED.
3. STANDOFFS SHALL BE SPACED SIX (6') FEET ON CENTER, MAXIMUM.
4. MINIMUM OF TWO (2) STANDOFFS REQUIRED.
5. MINIMUM OF FOUR (4) 3/8" STAINLESS STEEL BANDS REQUIRED, PER STANDOFF AND SHALL BE EQUALLY SPACED.
6. INTERNAL DROP STRUCTURE ALLOWED IF MANHOLE IS FOURTEEN (14') FEET OR DEEPER.

December 2021



Engineering Division

**Typical Internal Service
Drop Structure and Standoff**

Ross Mollenhauer

Approved By Utility
Project Manager –
Ross Mollenhauer, PE

Revised: 09/28/2020

STD - 513