

NEENAH FOUNDRY
R-4999-DX TYPE D COVER OR
APPROVED EQUIVALENT
COVER SHALL BE FASTENED TO
CONCRETE AND / OR
COVER FRAME AS PER
MANUFACTURERS SPECIFICATION

TYPICAL SIDEWALK SECTION
STD-752
WIDTH VARIES
SET GRATE TO
MATCH SIDEWALK
CROSS SLOPE

STREET
SURFACE

1% FLOW

3" DROP
ACROSS
CONCRETE
APRON

SOD TURF
MAXIMUM
2:1 SLOPE

TYPICAL "L" TYPE
CURB/GUTTER SECTION
STD-740

MINIMUM 4" CONCRETE

SECTION A-A

MINIMUM 6" TOPSOIL
COMPACTED TO 80% - 85%

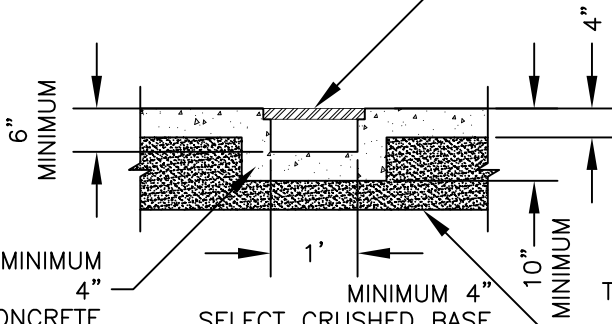
LAYDOWN IN
"L" TYPE
CURB/GUTTER
FLOW LINE

TOP
"L" TYPE
CURB/GUTTER
STD-740

SECTION C-C

BOTTOM
"L" TYPE
CURB/GUTTER
STD-740

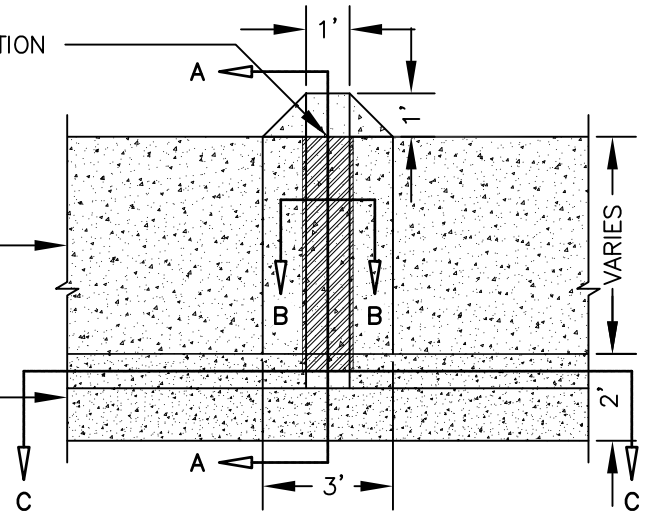
NEENAH FOUNDRY
R-4999-DX TYPE D COVER OR
APPROVED EQUIVALENT
COVER SHALL BE FASTENED TO
CONCRETE AND / OR
COVER FRAME AS PER
MANUFACTURERS SPECIFICATION



SECTION B-B

TYPICAL
SIDEWALK
STD-752

TYPICAL "L" TYPE
CURB/GUTTER
STD-740



PLAN VIEW

GENERAL NOTES:

1. SUBSTITUTION OF 'EQUIVALENT' MATERIALS / PRODUCTS SHALL BE SUBMITTED TO AND APPROVED BY CITY ENGINEER PRIOR TO COMMENCEMENT OF WORK
2. ALL MATERIALS / PRODUCTS SHALL BE PLACED / INSTALLED AS PER MANUFACTURER SPECIFICATIONS FOR WARRANTY INSTALLATION
3. POUR ENTIRE CURB OPENING SECTION AND SPILLWAY MONOLITHICALLY

December 2021



Engineering Division

Curb Opening Through Sidewalk Section to Landscape

Approved By
Utility Engineer
Andy Schultz, PE

Revised: 09/28/2020

STD - 608