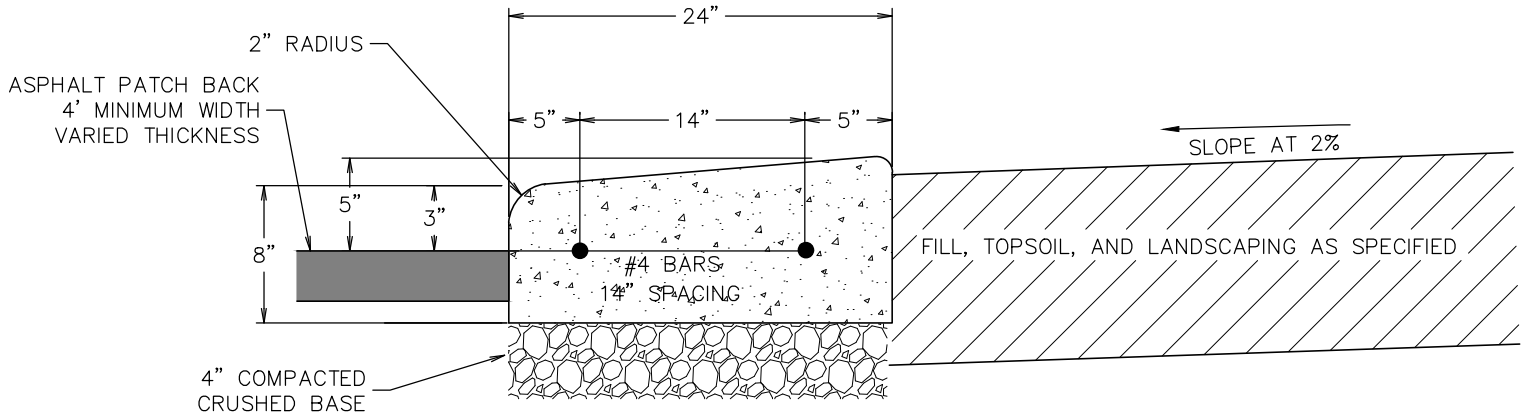


TRAFFIC CALMING CIRCLE



SECTION A-A

December 2021



Engineering Division

Traffic Calming Circle

Approved By
City Engineer
Kevin J. Slovarp

Adopted: 03/12/2004
Revised: 05/04/2017

STD - 709